

# PARTS LIST

[ XA-GT1TN ]

\* All printed circuit boards and its assemblies are not available as service parts.

Area suffix

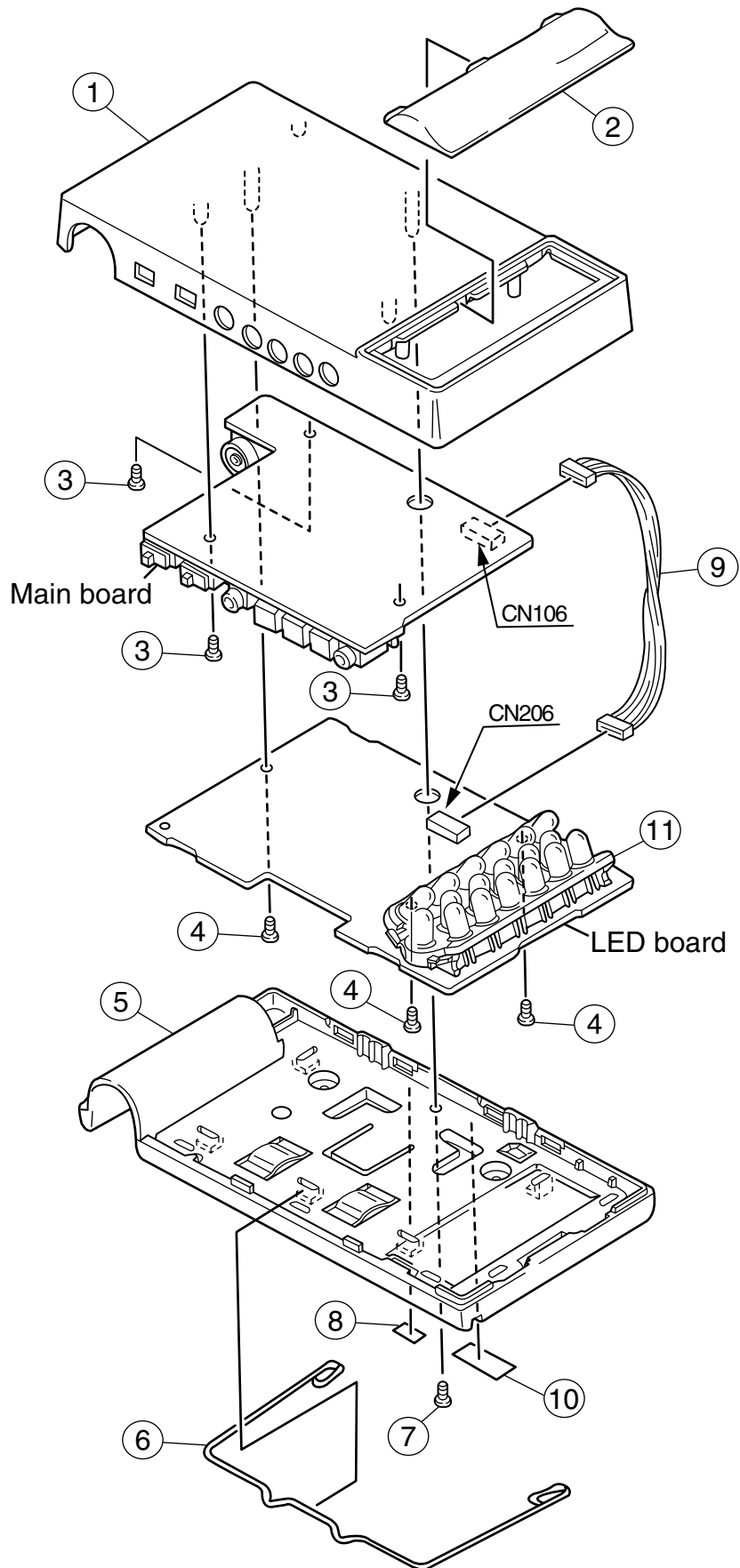
E ----- Continental Europe

## - Contents -

Exploded view of general assembly and parts list (Block No.M1) .....	3-2
Electrical parts list (Block No.01) .....	3-4
Packing materials and accessories parts list (Block No.M3,M5) .....	3-6

# Exploded view of general assembly and parts list

Block No. M 1 M M



**Parts list (General assembly)**
**Block No. M1MM**

⚠	Item	Parts number	Parts name	Q'ty	Description	Area
	1	VJG1486-001UL	TOP CASE	1	ABS,SPRAY	
	2	VJE3031-001	LED COVER	1	PMMA	
	3	QYSPSGT2040M	SCREW	3	TOP.CASE+MAIN.PWB	
	4	QYSPSGT2040M	SCREW	3	TOP.CASE+LED.PWB	
	5	VJG1487-001	BOTTOM CASE	1	ABS,SPRAY	
	6	VYH8169-001	SUPPORT ARM	1	SUS,FOR BOTTOM.CASE	
	7	QYSPSGU2055N	MINI SCREW	1	TOP.CASE+BOTTOM.CASE	
	8	VND5079-001	CE LABEL	1		
	9	DF-V-0-06-DF-08	CONNECTOR ASSY	1		
	10	VYN8082-002	NAME PLATE	1	FOR BOTTOM.CASE	
	11	VYH3995-001	LED HOLDER	1	LH1	

■ Electrical parts list (Main board)

Block No. 01

△	Item	Parts number	Parts name	Remarks	Area
	C 101	NCF21HZ-104X	C CAPACITOR		
	C 102	NCF21HZ-104X	C CAPACITOR		
	C 103	NCF21HZ-104X	C CAPACITOR		
	C 104	NCF21HZ-104X	C CAPACITOR		
	C 105	NCF21HZ-104X	C CAPACITOR		
	C 106	NCF21HZ-104X	C CAPACITOR		
	C 107	NCF21HZ-104X	C CAPACITOR		
	C 108	NCS31HJ-150X	C CAPACITOR		
	C 109	NCS31HJ-120X	C CAPACITOR		
	C 110	NCF21HZ-104X	C CAPACITOR		
	C 111	NCF21HZ-104X	C CAPACITOR		
	C 112	NCF21HZ-104X	C CAPACITOR		
	C 113	NCF21HZ-104X	C CAPACITOR		
	C 114	NCS31HJ-471X	C CAPACITOR		
	C 118	NCS31HJ-471X	C CAPACITOR		
	C 119	NCF21HZ-104X	C CAPACITOR		
	C 201	NBE51CM-226X	TA E CAPACITOR		
	C 202	NBE40JM-226X	TS E CAPACITOR		
	C 203	NCF21HZ-104X	C CAPACITOR		
	C 204	NEA71CM-476X	E CAPACITOR		
	C 205	NCF21HZ-104X	C CAPACITOR		
	C 206	NCS21HJ-471X	C CAPACITOR		
	C 401	NBE51CM-226X	TA E CAPACITOR		
	C 402	NBE40JM-226X	TS E CAPACITOR		
	C 403	NCF21HZ-104X	C CAPACITOR		
	C 404	NEA71CM-476X	E CAPACITOR		
	C 501	NBE51CM-226X	TA E CAPACITOR		
	C 502	NBE40JM-226X	TS E CAPACITOR		
	C 503	NCF21HZ-104X	C CAPACITOR		
	C 504	NEA71CM-476X	E CAPACITOR		
	C 505	NCF21HZ-104X	C CAPACITOR		
	C 510	NCS31HJ-470X	C CAPACITOR		
	C 511	NCS31HJ-470X	C CAPACITOR		
	C 520	NCS31HJ-470X	C CAPACITOR		
	C 521	NCS31HJ-470X	C CAPACITOR		
	C 530	NCS31HJ-470X	C CAPACITOR		
	C 531	NCS31HJ-470X	C CAPACITOR		
	CN101	QGA1206C1-07X	CONNECTOR	FOR RS 232C I/F	
	CN106	QGA1206F1-08X	CONNECTOR		
	CN206	QGA1206F1-08X	CONNECTOR		
	D 501	MA153-X	DIODE		
	D 511	LN166/AB/VI	IR LED		
	D 512	LN166/AB/VI	IR LED		
	D 513	LN166/AB/VI	IR LED		
	D 514	LN166/AB/VI	IR LED		
	D 515	LN166/AB/VI	IR LED		
	D 516	LN166/AB/VI	IR LED		
	D 517	MA153-X	DIODE		
	D 521	LN166/AB/VI	IR LED		
	D 522	LN166/AB/VI	IR LED		
	D 523	LN166/AB/VI	IR LED		
	D 524	LN166/AB/VI	IR LED		
	D 525	LN166/AB/VI	IR LED		
	D 526	LN166/AB/VI	IR LED		
	D 527	MA153-X	DIODE		
	D 531	LN166/AB/VI	IR LED		
	D 532	LN166/AB/VI	IR LED		
	D 533	LN166/AB/VI	IR LED		
	D 534	LN166/AB/VI	IR LED		
	D 535	LN166/AB/VI	IR LED		
	D 536	LN166/AB/VI	IR LED		
	D 537	MA153-X	DIODE		
	D 601	MA153-X	DIODE		

△	Item	Parts number	Parts name	Remarks	Area
	D 602	MA153-X	DIODE		
	IC101	HD6433042V09X	IC	MAIN CPU	
	IC102	HD74HC138FP-T2	IC	CHIP SERECT	
	IC103	LE28C1001T-12	IC	FLASH ROM	
	IC104	HD74HC157FP-T2	IC	FOR DRV SIG MPX	
	IC105	HD74LS26FP-X	IC	FOR 5V-12V I/F	
	IC106	TC4069UBFT-X	IC	FOR LED ARAY DR	
	IC108	IC-PST591M/D/-X	IC	FOR CPU RESET	
	IC109	UPC78L05T-X	IC	FOR VCC 5V	
	IC501	XC62FP3102P-X	IC	FOR VCC LED	
	J 101	QNA0004-001	DC JACK	POWER DC12VGRGT	
	J 102	QNS0149-001	JACK		
	J 103	QNS0149-001	JACK		
	Q 511	2SA1036K(R)TL	TRANSISTOR		
	Q 512	2SD1328/ST/-X	TRANSISTOR		
	Q 521	2SA1036K(R)TL	TRANSISTOR		
	Q 522	2SD1328/ST/-X	TRANSISTOR		
	Q 531	2SA1036K(R)TL	TRANSISTOR		
	Q 532	2SD1328/ST/-X	TRANSISTOR		
	R 102	NRSA63J-104X	MG RESISTOR		
	R 103	NRSA63J-473X	MG RESISTOR		
	R 104	NRSA63J-0R0X	MG RESISTOR		
	R 105	NRSA63J-104X	MG RESISTOR		
	R 106	NRSA63J-473X	MG RESISTOR		
	R 107	NRSA63J-473X	MG RESISTOR		
	R 108	NRSA63J-473X	MG RESISTOR		
	R 109	NRSA63J-473X	MG RESISTOR		
	R 110	NRSA63J-473X	MG RESISTOR		
	R 111	NRSA63J-473X	MG RESISTOR		
	R 112	NRSA63J-473X	MG RESISTOR		
	R 113	NRSA63J-473X	MG RESISTOR		
	R 114	NRSA63J-473X	MG RESISTOR		
	R 115	NRSA63J-473X	MG RESISTOR		
	R 116	NRSA63J-473X	MG RESISTOR		
	R 117	NRSA63J-473X	MG RESISTOR		
	R 118	NRSA63J-473X	MG RESISTOR		
	R 119	NRSA63J-181X	MG RESISTOR		
	R 120	NRSA63J-470X	MG RESISTOR		
	R 121	NRSA63J-102X	MG RESISTOR		
	R 151	NRSA63J-103X	MG RESISTOR		
	R 152	NRSA63J-103X	MG RESISTOR		
	R 153	NRSA63J-103X	MG RESISTOR		
	R 154	NRSA63J-102X	MG RESISTOR		
	R 201	NRSA63J-104X	MG RESISTOR		
	R 202	NRSA63J-473X	MG RESISTOR		
	R 203	NRSA63J-473X	MG RESISTOR		
	R 204	NRSA63J-473X	MG RESISTOR		
	R 205	NRSA63J-473X	MG RESISTOR		
	R 206	NRSA63J-473X	MG RESISTOR		
	R 207	NRSA63J-473X	MG RESISTOR		
	R 209	NRSA63J-102X	MG RESISTOR		
	R 210	NRSA63J-472X	MG RESISTOR		
	R 220	NRSA63J-473X	MG RESISTOR		
	R 221	NRSA63J-473X	MG RESISTOR		
	R 222	NRSA63J-473X	MG RESISTOR		
	R 223	NRSA63J-473X	MG RESISTOR		
	R 224	NRSA63J-473X	MG RESISTOR		
	R 225	NRSA63J-473X	MG RESISTOR		
	R 226	NRSA63J-473X	MG RESISTOR		
	R 227	NRSA63J-473X	MG RESISTOR		
	R 231	NRSA63J-104X	MG RESISTOR		
	R 232	NRSA63J-473X	MG RESISTOR		
	R 233	NRSA63J-473X	MG RESISTOR		

## ■ Electrical parts list (Main board)

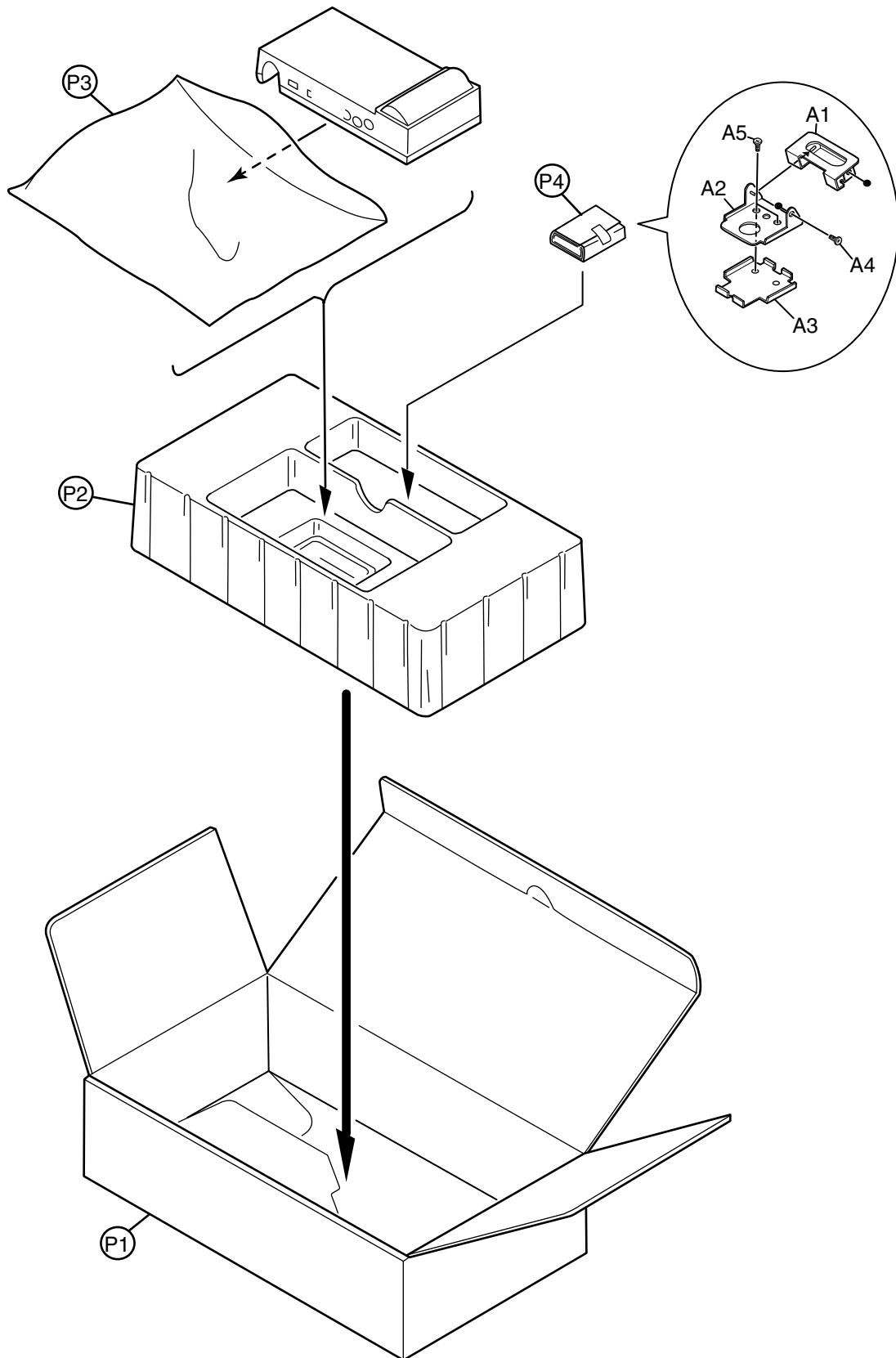
Block No. 01

△	Item	Parts number	Parts name	Remarks	Area
	R 236	NRSA63J-103X	MG RESISTOR		
	R 241	NRSA63J-473X	MG RESISTOR		
	R 245	NRSA63J-472X	MG RESISTOR		
	R 246	NRSA63J-472X	MG RESISTOR		
	R 247	NRSA63J-472X	MG RESISTOR		
	R 248	NRSA63J-472X	MG RESISTOR		
	R 249	NRSA63J-472X	MG RESISTOR		
	R 250	NRSA63J-472X	MG RESISTOR		
	R 251	NRSA63J-472X	MG RESISTOR		
	R 252	NRSA63J-472X	MG RESISTOR		
	R 253	NRSA63J-472X	MG RESISTOR		
	R 254	NRSA63J-472X	MG RESISTOR		
	R 255	NRSA63J-472X	MG RESISTOR		
	R 256	NRSA63J-472X	MG RESISTOR		
	R 257	NRSA63J-472X	MG RESISTOR		
	R 401	NRSA63J-103X	MG RESISTOR		
	R 402	NRSA63J-103X	MG RESISTOR		
	R 501	NRSA63J-332X	MG RESISTOR		
	R 511	NRSA63J-473X	MG RESISTOR		
	R 512	NRSA63J-223X	MG RESISTOR		
	R 513	NRSA63J-101X	MG RESISTOR		
	R 514	NRSA02J-220X	MG RESISTOR		
	R 515	NRSA02J-180X	MG RESISTOR		
	R 516	NRSA63J-1R0X	MG RESISTOR		
	R 521	NRSA63J-473X	MG RESISTOR		
	R 522	NRSA63J-223X	MG RESISTOR		
	R 523	NRSA63J-101X	MG RESISTOR		
	R 524	NRSA02J-220X	MG RESISTOR		
	R 525	NRSA02J-180X	MG RESISTOR		
	R 526	NRSA63J-1R0X	MG RESISTOR		
	R 531	NRSA63J-473X	MG RESISTOR		
	R 532	NRSA63J-223X	MG RESISTOR		
	R 533	NRSA63J-101X	MG RESISTOR		
	R 534	NRSA02J-220X	MG RESISTOR		
	R 535	NRSA02J-180X	MG RESISTOR		
	R 536	NRSA63J-1R0X	MG RESISTOR		
	SW101	QSW0530-001	ROTARY DIP SW		
	SW102	QSW0530-001	ROTARY DIP SW		
	SW103	QSW0530-001	ROTARY DIP SW		
	SW104	QSW0529-001	SLIDE SWITCH		
	SW105	QSW0529-001	SLIDE SWITCH		
	SW106	QSS1A12-V08Y	SLIDE SWITCH		
	SW107	QSS1A12-V08Y	SLIDE SWITCH		
	VR501	QVPC402-103	SEMI V RESISTOR	FOR VCC LED ADJ	
	X 101	NAX0133-001X	CRYSTAL	FOR CPU OSC. 8M	

# Packing materials and accessories parts list


Block No. M 3 M M

Block No. M 5 M M




**Parts list (Packing)**

Block No. M3MM

	Item	Parts number	Parts name	Q'ty	Description	Area
	P 1	VPC8081-003	CARTON	1		
	P 2	VPK3376-001	CUSHION CASE	1		
	P 3	VPE3015-010	ENVELOPE	1	FOR SET PACKING	
	P 4	QPA01502005	POLY BAG	1	FOR BRACKET	

**Parts list (Accessories)**

Block No. M5MM

	Item	Parts number	Parts name	Q'ty	Description	Area
	A 1	VYH3996-001	BRACKET(A)	1	T1	
	A 2	VYH3997-00A	BRACKET(B)ASS'Y	1	T1	
	A 3	VYH3998-001	BRACKET(C)	1	T1	
	A 4	QYSPSPD3005Z	SCREW	1	BKT(A)+BKT(B)	
	A 5	QYSPSPD3006Z	SCREW	2	BKT(B)+BKT(C)	